

SECURITON © Copyright by Securiton	Dirt Trap Box DTB 25PC		TD 004 008			1 / 5
Dirt Trap Box as an accessory for aspirating smoke detectors Data Sheet	Status	Date	Ind.	Mod. No.	Abbreviation	released
	First issue	12.09.00	---		MM / ASc	19.03.2012/MM
	current	10.01.12	e		MM / TL	Print
	Ref. doc.	T 131 192				SECURITON

Table of contents

Page

1.	Field of application	2
2.	Construction	2
3.	Function	2
4.	Assembly and commissioning	3
5.	Maintenance and servicing	3
6.	Part numbers	3
7.	Technical data	4
8.	Project planning notice	5



1. Field of application

The Dirt Trap Box is used as an accessory part for aspirating smoke detector SecuriRAS® in areas with high dust content to prevent false alarms and to increase the lifespan of the smoke sensors substantially.

When using the dust trap, we ***generally*** recommend the combination with the large or extra large filter-box.

Because of the Dirt Trap Box design, dust particles are deposited on the bottom due to gravity. Smoke particles pass through the Dirt Trap Box unhindered to the small size of the particles. Reliable and fast fire detection is thus ensured.

2. Construction

The Dirt Trap Box is part of the suction pipe. The housing is made of polycarbonate, light grey paint (RAL 7035). The Dirt Trap Box can be opened via the 6 cover screws to remove the dust collected and to be able to clean the interior.

3. Function

The air polluted with dust particles is also aspirated by the aspirating smoke detector. So that these particles do not cause any false alarms, the aspirated air must be purified of these particles. The Dirt Trap Box can be used for this purpose as an additional accessory component.

This is then to be arranged in front of the filter-box in the suction pipe (see project planning notice). The aspirated air reaches the Dirt Trap Box via the entry opening underneath. En route to the exit opening above, the air is separated from most of the dust particles which are deposited on the bottom of the chamber due to gravity. The gathered dust can be removed during maintenance work simply by opening the lid.

Advantages of the Dirt Trap Box

- Prevention or substantial reduction of false alarms
- Lengthening of lifespan of smoke sensors
- very low installation costs
- subsequent installation possible at any time
- low operating costs
- applicable for all aspirating smoke detectors
- quick, clean and inexpensive solution

4. Assembly and commissioning

The Dirt Trap Box must always be assembled vertically. The screw connection for the air inlet must always be located underneath. The suction pipes within the Dirt Trap Box are sloped 45°. Generally, use in combination with a large filter box is recommended. Assembly and arrangement should be carried out in accordance with the project planning notice.

5. Maintenance and servicing

Country-specific guidelines and standards apply for maintenance work and servicing. The maintenance and servicing of fire detection and alarm systems may only be carried out by trained personnel!

Furthermore, the Technical Documentation of the respective aspirating smoke detector must be considered.

When carrying out maintenance work on the aspirating smoke detector, only the interior of the Dirt Trap Box needs to be cleaned.

6. Part numbers

Abbreviated designation	Type No. SECURITON
Aspirating smoke detector SecuriRAS® ASD 535-1	5000623-0101
Aspirating smoke detector SecuriRAS® ASD 535-2	5000623-0102
Aspirating smoke detector SecuriRAS® ASD 535-3	5000623-0103
Aspirating smoke detector SecuriRAS® ASD 535-4	5000623-0104
Smoke sensor SSD 535-1	5000613-0101
Smoke sensor SSD 535-2	5000613-0102
Smoke sensor SSD 535-3	5000613-0103
Filter-box large	FLB 25 PC 0.100793
Spare filter mat block fine stage	0.101132
Filter-box extra large	FBX 25 0.101196
Spare filter mat set (extra-large filter box)	0.101949
Manual ball valve PVC	MV 25 PVC 21.544.20D25
Manual ball valve ABS	MV 25 ABS 0.100862
Dust Retaining Box (cyclone) d=25	DRB 25 PVC 0.101166
Dirt Trap Box, d=25	DTB 25 PC 0.100357

7. Technical data

Features		
Environmental conditions		
Expanded environmental conditions:		
• Temperature range	0 to +50	°C
Introduction	2x screw connections M32	mm
Housing material	Polycarbonate (PC)	
Housing colour	Light grey 7035	RAL
Dimensions (H x W x D)	240 x 250 x 90	mm
Weight	max. 700	g
Approval		
VdS	G 208154	
Building product approval	0768-CPD-20600	

Subject to technical modification!

8. Project planning notice

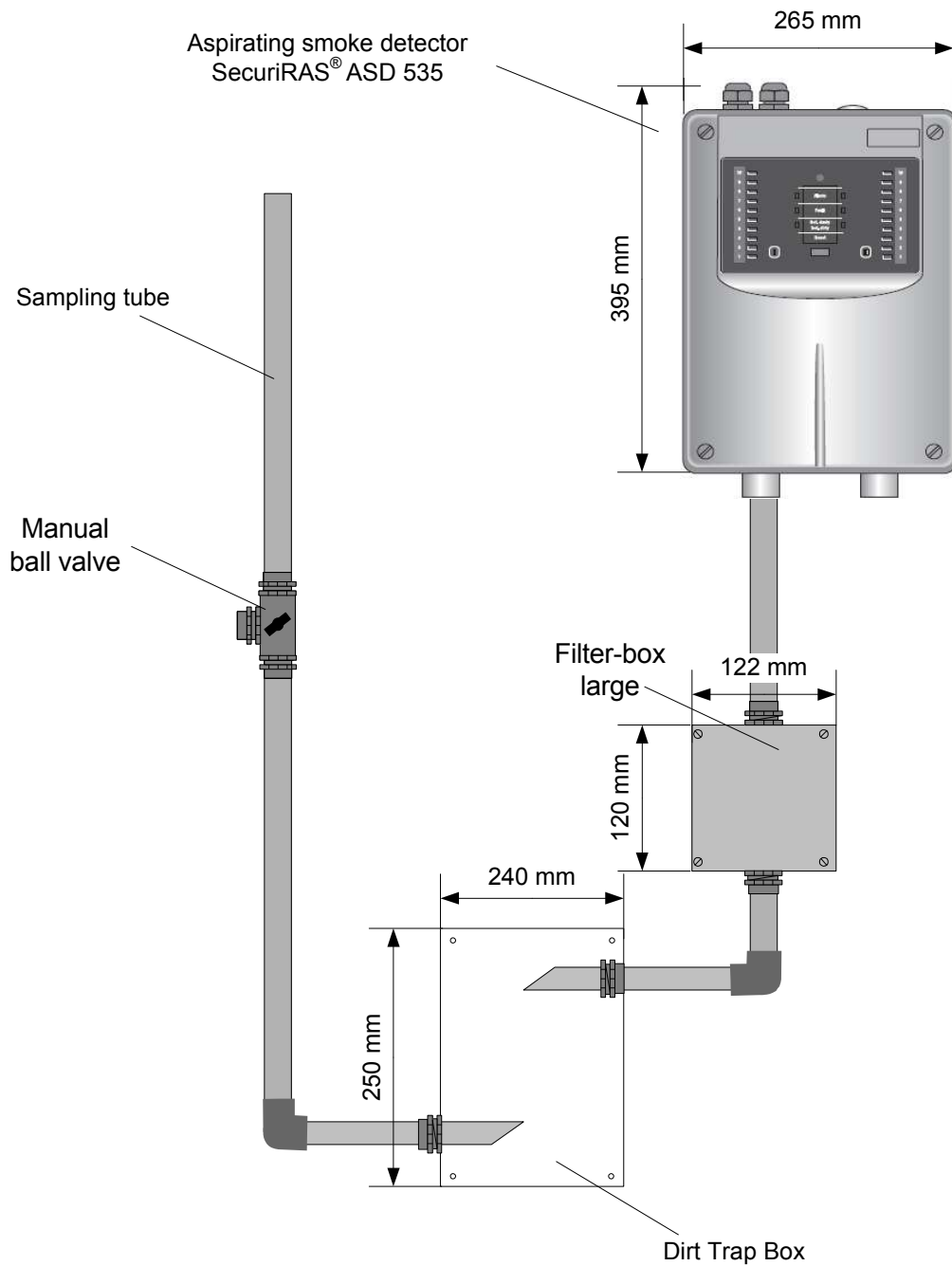


Fig. 1: Standard installation